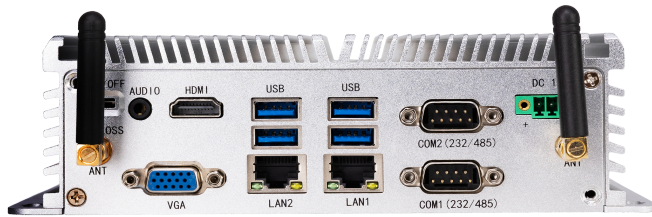
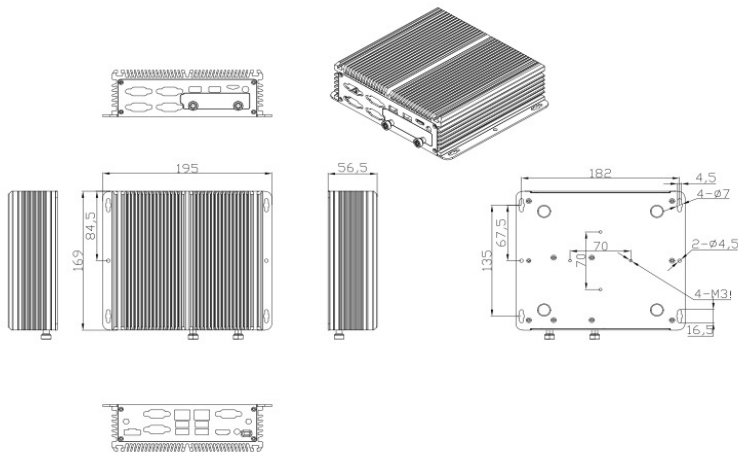


## VW100

Pictures:



Technical Drawings



### Features:

- 195\*169\*56.5mm
- Intel®Core™ 10TH GEN i5U (i5-10210U) Processor
- Rugged aluminum mechanical material
- 6\*RS232(COM1-4 optional RS232/RS485)
- 1\*AUDIO (2in1) / 1\* nano SIM slot
- Windows/Linux

**Specifications:**

<b>Physical Characteristics</b>	Processor	Intel®Core™ 10TH GEN i5U (i5-10210U)
	Memory	2*DDR4 support 4G/8G/16G/32G
	Storage	1* M. 2+1*SATA(2.5 "Mechanical hard disk capacity ≤2TB)
	Network	2*Intel I210/I211
	COM	6*RS232(COM1-4 optional 232/485)
	USB	4* USB 3.0 / 2*USB2.0
	Display	1* HDMI / 1*VGA
	Optional interface	1*AUDIO (2in1) / 1* nano SIM slot
	Expansion slot	1* M. 2(KEY EWifi&BT 2230)/ 1* M. 2(KEY B 4G/5G LTE 3052)
	Operating system	Windows/Linux
<b>Power Supply &amp; Structure</b>	Power input	DC12
	Dimension includes bracket	195*169*56.5mm
	Gross Weight	1.65kg
	Installation method	Wall mounted/Desktop
<b>Environmental</b>	Operating Temperature	-10 ~ +60°C
	Storage Temperature	-10 ~ +60°C
	Storage Humidity	5 ~ 95%
	*Non-condensing	