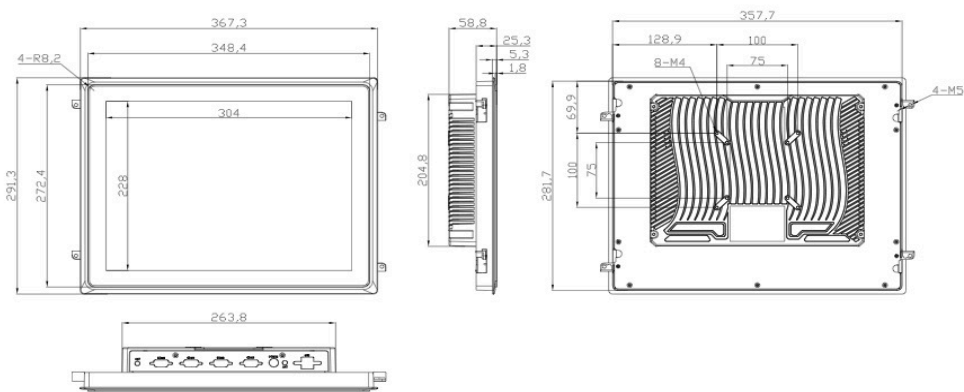


## TPRO-15

Pictures:



Technical Drawings



### Features:

- 15" LCD screen
- RK3566 ARM Cortex-A55 / Rockchip
- Capacitive or Resistive Touchscreen Options
- Die Cast Aluminum Housing and IP65 Rated Front Bezel
- 2x RS232 ( 1x COM optional RS485)
- Android / Linux

**Specifications:**

<b>Display Feature</b>	Display Screen	15" LCD
	Resolution	1024*768
	Brightness	350cd/m <sup>2</sup>
	Contrast ratio	1000:1
	Touch Screen	Capacitive or Resistive touch screen
	Controller	USB interface
	Durability	Capacitive: ≥5M times / Resistive: ≥100,000 times
<b>Performance</b>	Processor	ARM/Rockchip
	Memory	2G/4G/8G
	Storage	32G/64G/128G
	Network	1* LAN
	COM	2*RS232, (1*COM optional RS485)
	USB	2*USB
	Display	1* HDMI
	Expansion Slots	1* Mini-PCIE
	Operating Temperature	Android/Linux
<b>Mechanical</b>	Dimensions	367.3*291.3*58.8mm
	Suggested hole size	Externally embedded 359*283mm Internally embedded 350*274mm
	Material	Die Cast Aluminum Housing
	Weight	4.26kg / 5.76kg (NET./GROSS.)
	Installation method	Embedded/Wall mounted/Desktop
	Color	Silver
<b>Environmental</b>	Operating Temperature	-20 ~ +60°C
	Storage Temperature	-20 ~ +70°C
	Storage Humidity	5 ~ 95%
	*Non-condensing	
<b>Power</b>	DC 12V (Optional 9 ~ 36V Wide-voltage power)	