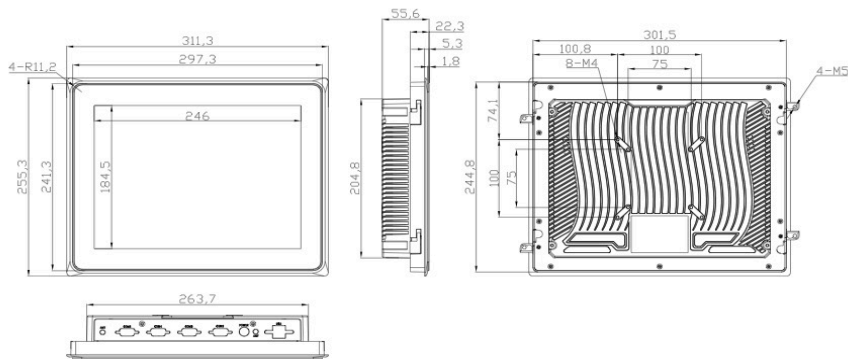


TPRO-121

Pictures:



Technical Drawings



Features:

- 12.1" LCD screen
- RK3566 ARM Cortex-A55 / Rockchip
- Capacitive or Resistive Touchscreen Options
- Die Cast Aluminum Housing and IP65 Rated Front Bezel
- 2x RS232 (1x COM optional RS485)
- Android / Linux

Specifications:

Display Feature	Display Screen	12.1" LCD
	Resolution	1024*768
	Brightness	500cd/m ²
	Contrast ratio	1200:1
	Touch Screen	Capacitive or Resistive touch screen
	Controller	USB interface
	Durability	Capacitive: ≥5M times / Resistive: ≥100,000 times
Performance	Processor	ARM/Rockchip
	Memory	2G/4G/8G
	Storage	32G/64G/128G
	Network	1* LAN
	COM	2*RS232, (1*COM optional RS485)
	USB	2*USB
	Display	1* HDMI
	Expansion Slots	1* Mini-PCIE
	Operating Temperature	Android/Linux
Mechanical	Dimensions	311.3*255.3*55.6mm
	Suggested hole size	Externally embedded 305*248mm Internally embedded 298.8 * 242.8mm
	Material	Die Cast Aluminum Housing
	Weight	3.28kg / 4.78kg (NET./GROSS.)
	Installation method	Embedded/Wall mounted/Desktop
	Color	Silver
Environmental	Operating Temperature	-20 ~ +60°C
	Storage Temperature	-20 ~ +70°C
	Storage Humidity	5 ~ 95%
	*Non-condensing	
Power	DC 12V (Optional 9 ~ 36V Wide-voltage power)	