

# B1-L2DA

## 2 Channels Analog Output Module



### Introduction

B1-L2DA is one of the analog output module of FATEK B1 series PLC, it provides 2 channels of 12-bit (coded in 14 bits) analog outputs. ◦

### Specification

**Total Channels :** 2 Channels

**Resolution :** 12 bits

**Coding Format :** 14 bits ( 0 ~ 16383)

**Signal Resolution :** 2.44mV(Voltage), 4.88uA(Current)

**Registers Occupied :** 2 Register ( D4076 · D4077 )

**Conversion Time :** Updated each scan

**Accuracy :** ±1 %

**Max. and Min. output loading :**

Voltage Output : 2K ~ 1MΩ

Current Output : 0 ~ 500Ω

**Output Range :** 0 ~ 10V(Voltage)

0 ~ +20mA(Current)

**Internal Power Consumption :** 5V, 69mA(Max. load)

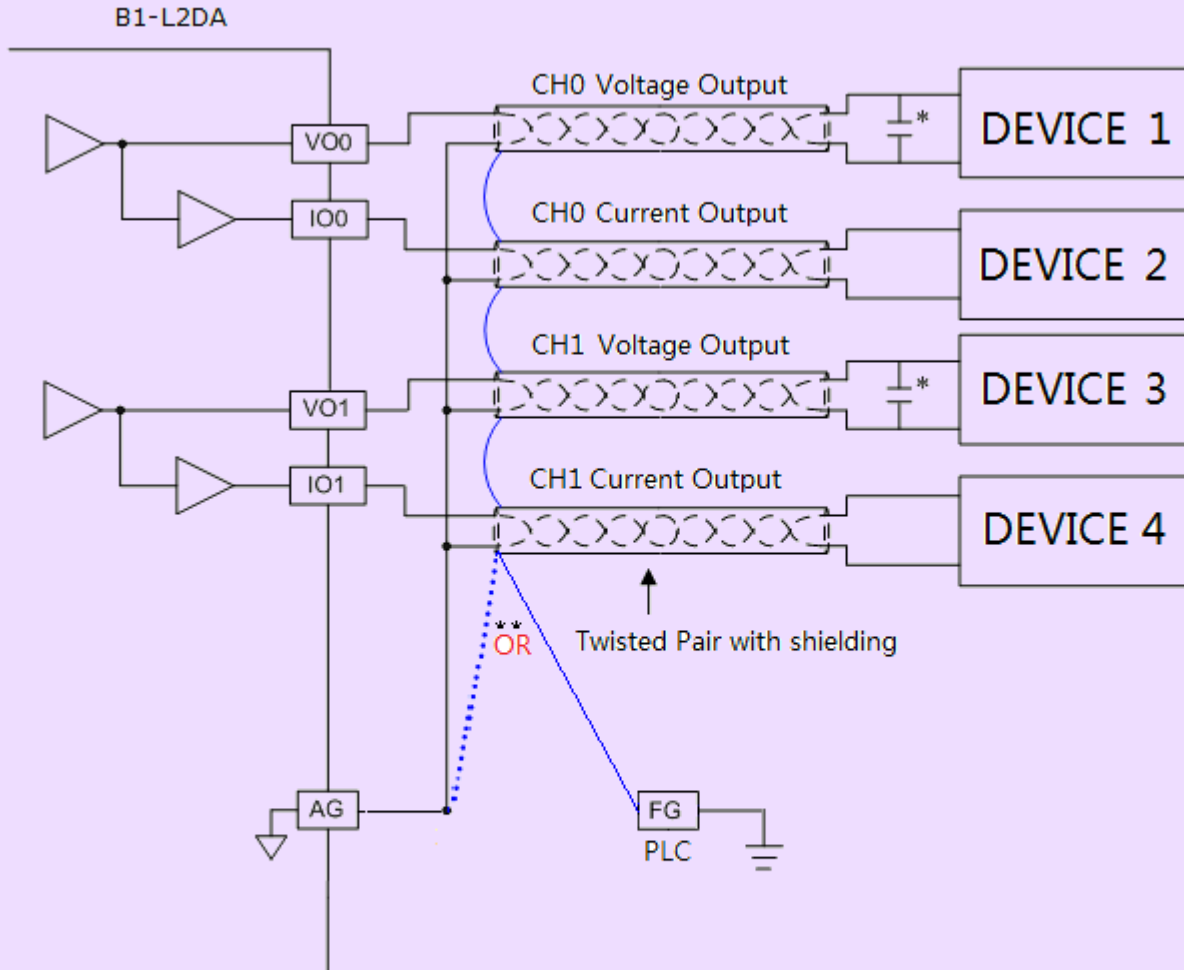
**Operating Temperature :** 0 ~ 60 °C

**Storage Temperature :** -20 ~ 80 °C

### Pin Diagram



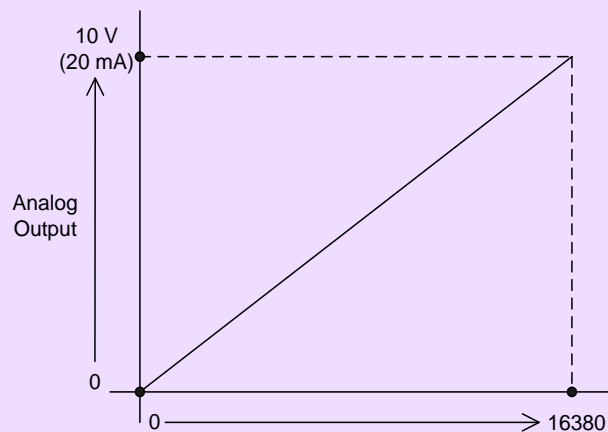
### Wiring Diagram



\* 0.1 ~ 0.47 uF capacitor ( to filter noise ) ..... Advice to install, but not necessary !!

\*\* If you like to have Twisted pair with shielding connect to ground , we suggest you to connect FG of PLC, if you can't connect to the FG of PLC, please connect to the AG of module.

### Characteristics Chart



### ***Registers allocation Map***

<b>Channel No.</b>		<b>Mapped Register</b>
Analog Output	CH0	D4076 ( 0 ~ 16383 )
	CH1	D4077 ( 0 ~ 16383 )