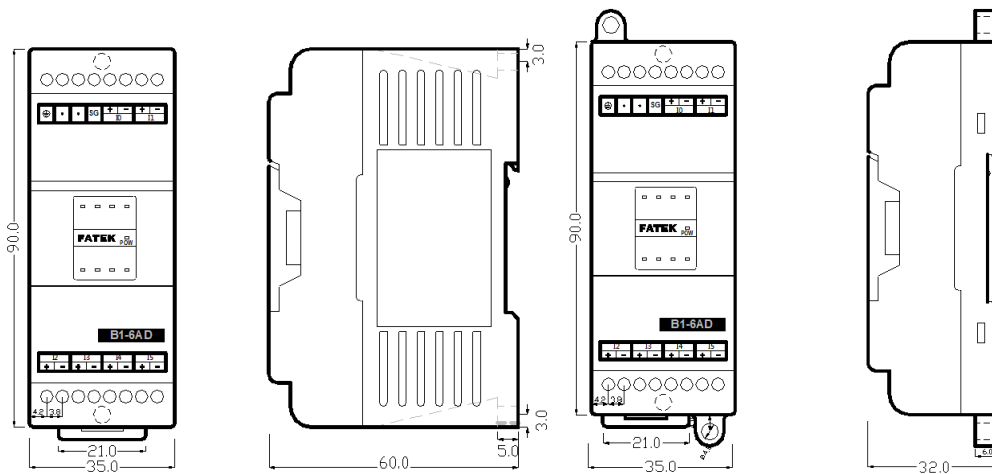


## *B1-6AD Right Side 6 Channel A/D Input Module*

### *Introduction*

B1-6AD is one of the analog input modules of FATEK B1 series PLC. It provides 6 channels A/D input with 12 bit effective resolution. Base on the different jumper settings it can measure the varieties of current or voltage signal. The reading value is represented by a 12 bit value. In order to filter out the field noise imposed on the signal, it also provides the average of sample input function.

### *Dimension*

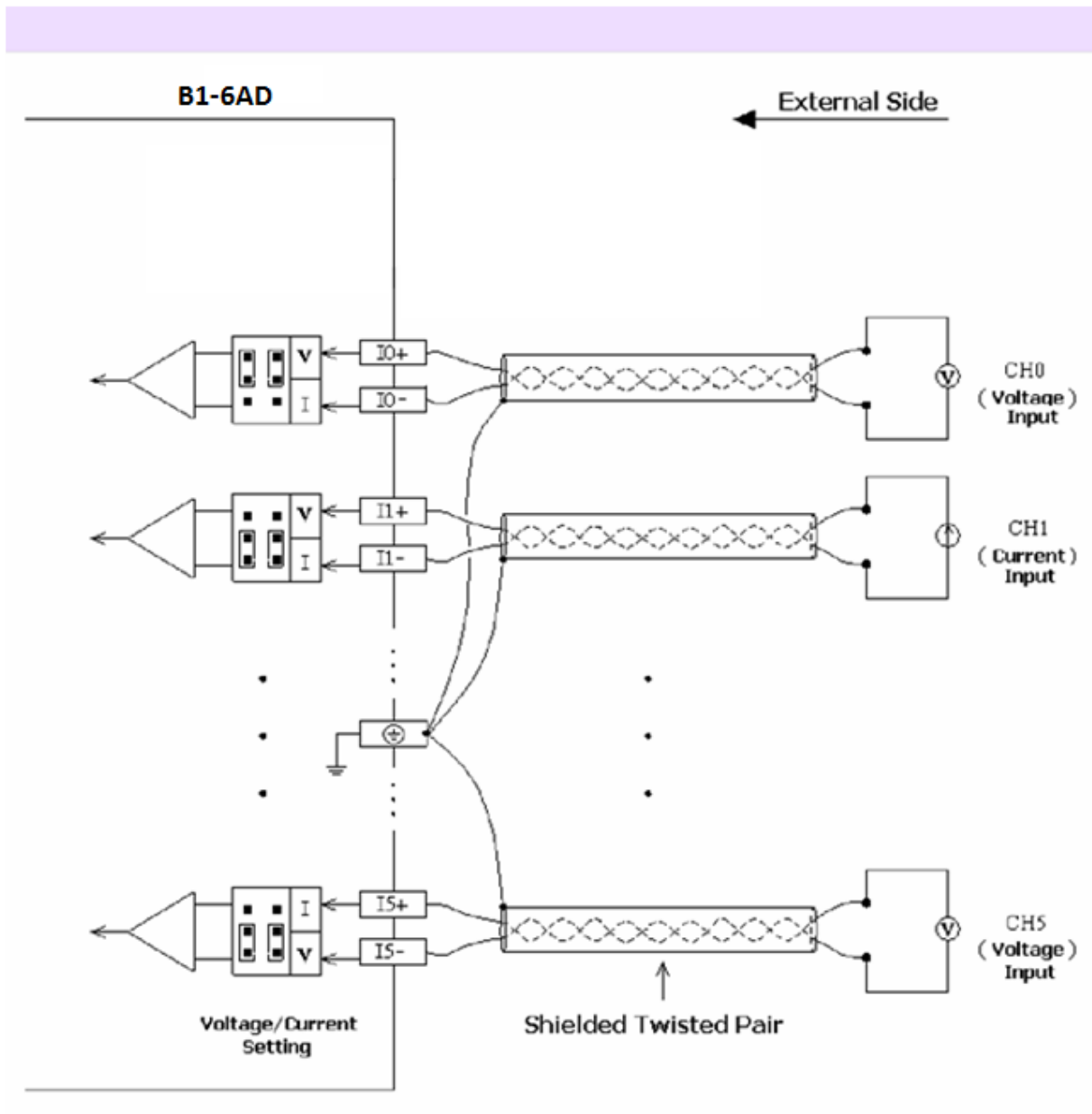


### *Specifications*

<b>Expansion Type</b>	Right Side
<b>Total Channels</b>	6 CH
<b>Resolution</b>	12 bit
<b>Signal Resolution</b>	1.22mV(Voltage), 2.44uA(Current)
<b>I/O Points Occupied</b>	6 IR(Input Register) – B1 PLC support up to 64 IR
<b>Conversion Time</b>	Updated each scan
<b>Accuracy</b>	±1 %
<b>Max. Absolute Input Rating</b>	±12V(Range:-10~10V), 0~12V(Range:0~10V), ±6V(Range:-5~5V), 0~6V(Range:0~5V), ±24mA(Range:-20~20mA), 0~24mA(Range:0~20mA), ±12mA(Range:-10~10mA), 0~12mA(Range:0~10mA)
<b>Software Filter</b>	Moving Average
<b>Average Samples</b>	1~16 configurable
<b>Input Impedance</b>	63.2KΩ(Voltage), 250Ω(Current)
<b>Measurement Range</b>	-10~+10V, -5~+5V, 0~10V, 0~5V, -20~+20mA, -10~+10mA, 0~20mA, 0~10mA

<b>Isolation</b>	None
<b>Indicator(s)</b>	5V PWR LED
<b>Supply Power</b>	24V-15%/+20%, 2VA
<b>Internal Power Consumption</b>	5V, 100mA
<b>Operating Temperature</b>	0 ~ 60 °C
<b>Storage Temperature</b>	-20 ~ 80 °C
<b>Case Type Support</b>	Standard Case and Slim Case
<b>Dimensions</b>	Standard Case: 35(W)x90(H)x60(D) mm Slim Case: 35(W)x90(H)x32(D) mm

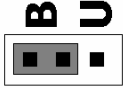

### Wiring Diagram



## Jumper Setting

### ➤ Input Code Format Selection

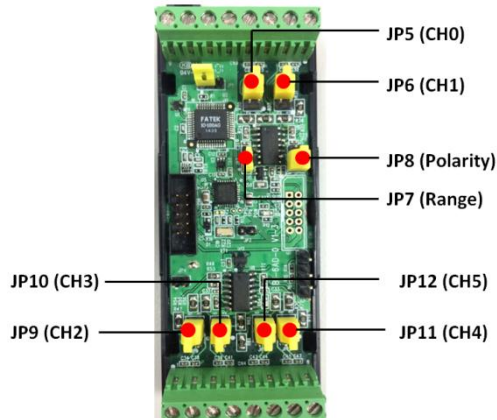
There are two input data formats can be selected which are bipolar and unipolar. The range of input value is 0~4095 for unipolar format while bipolar is -2048~2047. The two extreme values of each range corresponding to the minimal and maximal input signal. For example, if chose the -10V~+10V type signal, for 10V input signal the input value is 4095 for unipolar format while the bipolar format is 2047. Normally the input code format setting is consistent with input signal type (bipolar coded for bipolar input signal, unipolar coded for unipolar input signal). Only when use the FUN32 for offset conversion should set the bipolar code for unipolar input signal (Please refer the FUN32 description). The code format of all input channels are set by the same JP1 jumper. The location and the setting of jumper of JP1 are shown at below.


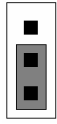
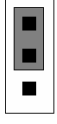

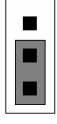
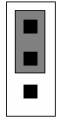
Code Format	Value Range	JP1 Setting
Bipolar	-2048 ~ +2047	
Unipolar	0 ~ +4095	


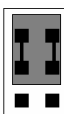


### ➤ Input Signal Type setting

The current or voltage type setting of each channel can be set individually while the range and polarity setting share the same jumpers. All locations of jumper for input signal type setting are shown at below.



Signal Type	Polarity Setting (JP8)	Range Setting (JP7)
0~10V or 0~20mA	U B 	 5V 10V
0~5V or 0~20mA		 5V 10V
-10V~10V or -20~20mA	U B 	 5V 10V
-5~5V or -10~10mA		 5V 10V

Signal Type	CH0(JP5)/ CH1(JP6)/ CH2(JP9)/ CH3(JP10)/ CH4(JP11)/ CH5(JP12)
Current	 V I
Voltage	 V I

CH0~CH5 share the JP7 and JP8 jumper, therefore all channels must be of the same type that is one of the four types listed at above table. Only the current/voltage setting can be chosen arbitrary.

The default factory settings of B1-6AD analog input module are

**Input code format** – Bipolar (-2048~+2047)

**Input signal type and range** – Bipolar (-10V ~ +10V)

For those applications that require the setting differ than the above default setting should make some modifications of jumper position according to above tables.

While application, besides the setting of jumper should be conducted, the configurations of AI module of Winproladder also need to be performed.